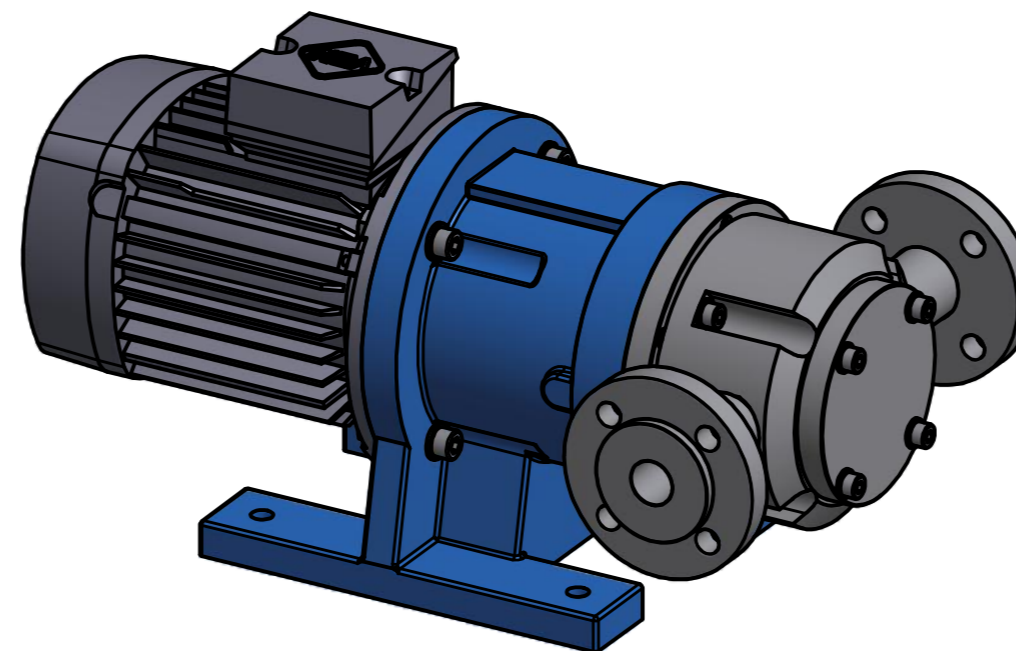


DIMENSIONS
in mm
* may change with different motor manufacturer

DRIVE
TEFC three phase asynchronous squirrel cage electric motor
acc. to IEC Standards
Manufacturer: VEM
Size: IEC90 B5, 1,5kW, 1450 rpm

CONNECTIONS
Lap Joint Flange DN25 PN16
or
1" BSP female



Alle Angaben unverbindlich, technische Änderungen vorbehalten! Technical data not binding and subject to change!
Copyright MARCH PUMPEN GmbH & Co.KG 2014

		MARCH PUMPEN GmbH Rätthausstraße 2 D-35394 Gießen Tel.: (+49) (0)641-686806-0 Fax.: (+49) (0)641-686806-60				1:2		Pump weight: 65kg	
		Gezeichnet 14.11.2018 Lach		Datum Name		VANE-MAG MPA3.2G Range SSF - IEC90 VEM			
		Kontrolliert Norm				MPA3.2G_SSF_IEC90_VEM1			
						A2			
Status Änderungen		Datum Name							